

## KODIAK PLUS SERIES CONE CRUSHERS



[www.kpijci.com](http://www.kpijci.com)

### **KOLBERG-PIONEER, INC.**

700 West 21st Street  
Yankton, SD 57078 USA  
605.665.9311 F 605.665.8858

### **JOHNSON CRUSHERS INT.**

86470 Franklin Boulevard  
Eugene, OR 97405 USA  
541.736.1400 F 541.736.1424

Because KPI-JCI may use in its catalog & literature, field photographs of its products which may have been modified by the owners, products furnished by KPI-JCI may not necessarily be as illustrated therein. Also continuous design progress makes it necessary that specifications be subject to change without notice. All sales of the products of KPI-JCI are subject to the provisions of its standard warranty. KPI-JCI does not warrant or represent that its products meet any federal, state, or local statutes, codes, ordinances, rules, standards or other regulations, including OSHA and MSHAGATOR, covering safety pollution, electrical, wiring, etc. Compliance with these statutes and regulations is the responsibility of the user and will be dependent upon the area and the use to which the product is put by the user. In some photographs, guards may have been removed for illustrative purposes only. This equipment should not be operated without all guards attached in their normal position. Placement of guards and other safety equipment is often dependent upon the area and the use to which the product is put. A safety study should be made by the user of the application, and, if required, additional guards, warning signs and other safety devices should be installed by the user, wherever appropriate before operating the products.

NOTE: SPECIFICATIONS ARE SUBJECT TO CHANGE WITHOUT NOTICE

REV. 2 10/08





# KODIAK PLUS SERIES

Maximum Efficiency | Worry-Free Operation

## CONE CRUSHERS



AGGREGATE AND MINING GROUP



# PATENTED INNOVATIONS FOR MAXIMUM EFFICIENCY

Making daily, monthly and annual numbers means keeping a constant eye on the bottom line. And you can't do that if you're concerned about keeping your machinery up and running. The Kodiak Plus Series' patented innovations provide the efficiency needed to hit your financial goals and the worry-free operation you demand from rugged machinery.

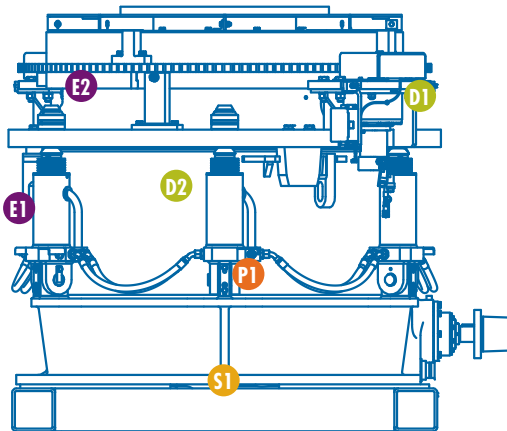
## KODIAK PLUS<sup>SERIES</sup> CONE CRUSHERS

### PERFORMANCE

- P1 Roller Bearings**  
Precision design generates higher efficiencies, reducing re-circulating loads and operating temperatures. Highly tolerant of climate and temperature fluctuations.

### DURABILITY

- D1 Thread Locking Ring**  
360-degree ring replaces individual cylinders and acts as a single piston providing low maintenance, leak-free operation preventing bowl creep.
- D2 Internal Counterweights**  
Fully protected counterweights eliminate the need for replacements and maintains true balance through the life of the machine.



### SAFETY

- S1 Cone Brake**  
Anti-spin feature reduces manganese wear cost and minimizes projectiles for improved safety.

### EASE-OF-USE

- E1 Tramp Iron Relief System**  
Eliminate maintenance costs associated with accumulators. Pressure relief valves act as a latch, generating minimal back pressure build-up during an event.
- E2 Brass Lined U-Seat**  
Replaceable brass seat provides extra protection from u-seat damage.

### KODIAK: AUTOMATED.

Increase your profitability with the Kodiak Automation System. The system's touch-screen interface makes operation easy and intuitive. Learn more by contacting your KPI-JCI dealer or by calling **541-736-1400**.



Maximum Efficiency | Worry-Free Operation

MODEL	Head Diameter (in / mm)	Weight (lbs / kg)	Capacity Up To (tph / mtph)
K200+	40 / 1016	33,500 / 15,196	385/349
K300+	45 / 1143	45,500 / 20,639	460/417
K400+	54 / 1372	58,600 / 26,580	625/567



### CHOOSE KODIAK PLUS SERIES CONE CRUSHERS WHEN:

#### Efficiency matters.

The highest crushing efficiency in the market—the Kodiak Plus Series cone crushers reduce the high percentage of recirculating loads.

#### You just want to get down to work.

Time spent making adjustments or changing out parts costs you money. The Kodiak Plus Series has been engineered to reduce downtime—keeping you up and running... and profiting.

[www.kpijci.com](http://www.kpijci.com)

### SERVICE MADE EASY

Because we're dedicated to keeping you up and running, we've provided two resources for quality parts and service. Kodiak Series parts and service are available from your local KPI-JCI dealer and/or your local KPI-JCI representative.

**Call 541-736-1400 to find the dealer  
or representative nearest you.**