

JAW PLANT

Exceptional Portability | Simplified Operation | Superior Compatibility

TRACK MOUNTED PLANT



AGGREGATE AND
MINING GROUP

The GT125 is your choice for maximum jaw crushing mobility. Featuring a Vanguard Plus Series Jaw Crusher, the GT125 provides a large feed opening for up to 400 TPH. Equally effective in aggregate or recycle, this plant allows stationary and portable producers to benefit from the on-site mobility. This plants delivers! Don't settle for off-the-shelf configurations! Multiple feeder sizes, cross-belt magnet, under grizzly, side delivery and dust-suppression systems are the options available to customize the plant to exact specifications.

JAW CRUSHER

MODEL GT125S

21" (533mm)
Maximum crusher feed size.

5 1/2 cu. yds.
Vibrating Grizzly Pan Feeder capacity.

225 HP
CAT C7 with 165.5 kW power unit.

Up to 400 TPH
Plant capacity, dependant on material and conditions.

PERFORMANCE

- P1 Low Profile**
Designed to simply drive off transport trailer and begin crushing.
- P2 Compact Design**
Global Track Series machines are slimmer and lighter, making them easy to transport.

EASE-OF-USE

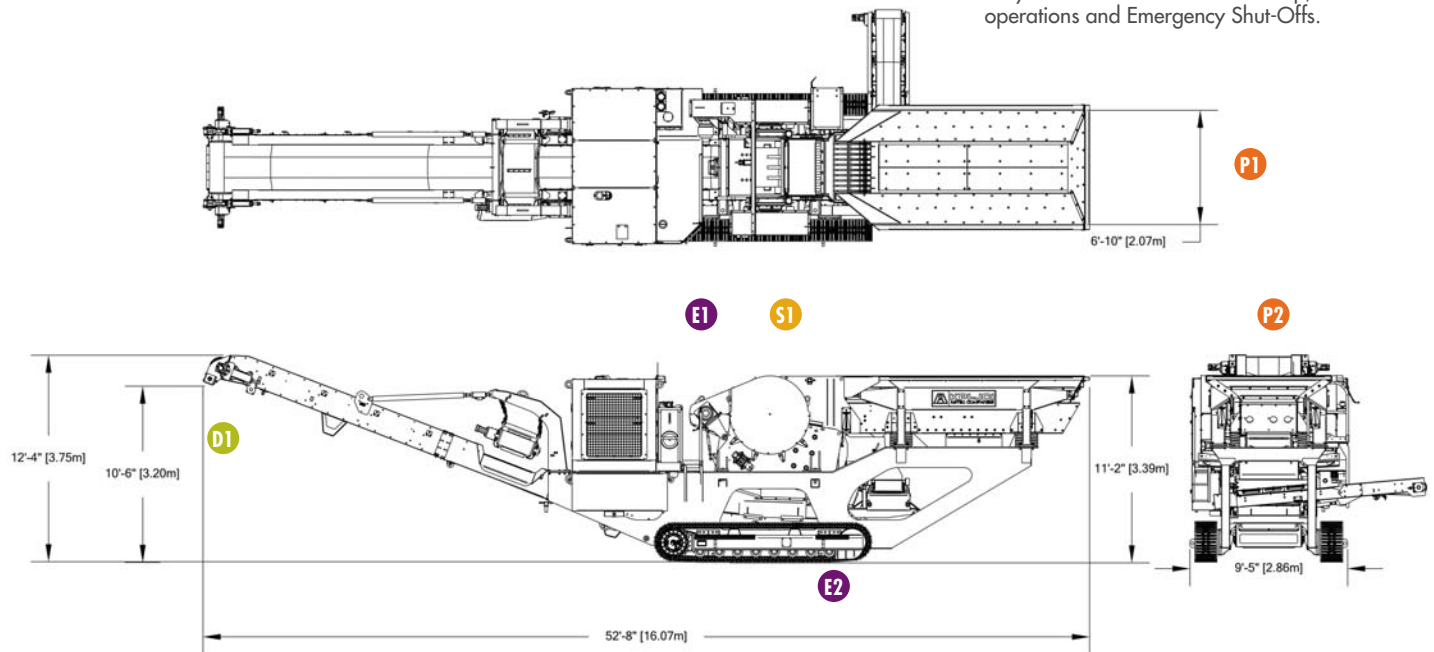
- E1 Minimal Site Prep**
Spend time in production, instead of site preparation.
- E2 On-Site Portable**
On-site mobility, quickly relocate as production requires.

RELIABILITY

- D1 Maximum Plant Out-Put**
Straight forward design of the crusher insures reliability.

SAFETY

- S1 Control Panels**
Easy access to all controls for set up, operations and Emergency Shut-Offs.



VIBRATING GRIZZLY FEEDER
40" x 14" Vibrating Pan Feeder, 5-1/2 cubic yard hopper with four feet long independant vibrating fingers.



JAW CRUSHER
High Production Vanguard Plus Series Jaw Crusher, hydraulically adjustable, hydraulically driven and reversible.



HEAVY DUTY TRACK DRIVE
400mm tracks with dual drive. Heavy duty track drive provides extreme durability and mobility.

www.kpijci.com

PART OF THE GLOBAL TRACK SYSTEM

Combine with the GT200 Cone and the GT145S Screen for a total crushing and screening system.

SERVICE MADE EASY

Because we're dedicated to keeping you up and running, we've provided two resources for quality O.E.M. parts and 24/7 service. KPI-JCI and Astec Mobile Screens parts and service are available from your local dealer and/or representative.

Find the dealer or representative nearest you at www.kpijci.com.

Because KPI-JCI & Astec Mobile Screens may use in their catalog & literature, old photographs of its products which may have been modified by the owners, products furnished by KPI-JCI & Astec Mobile Screens may not necessarily be as illustrated therein. Also continuous design progress makes it necessary that specifications be subject to change without notice. All sales of the products of KPI-JCI & Astec Mobile Screens are subject to the provisions of its standard warranty. KPI-JCI & Astec Mobile Screens do not warrant or represent that their products meet any federal, state, or local statutes, codes, ordinances, rules, standards or other regulations, including OSHA and MSHAGATOR, covering safety pollution, electrical, wiring, etc. Compliance with these statutes and regulations is the responsibility of the user and will be dependent upon the area and the use to which the product is put by the user. In some photographs, guards may have been removed for illustrative purposes only. This equipment should not be operated without all guards attached in their normal position. Placement of guards and other safety equipment is often dependent upon the area and the use to which the product is put. A safety study should be made by the user of the application, and, if required, additional guards, warning signs and other safety devices should be installed by the user, wherever appropriate before operating the products.

NOTE: SPECIFICATIONS ARE SUBJECT TO CHANGE WITHOUT NOTICE