



33-36136 SUPERSTACKER

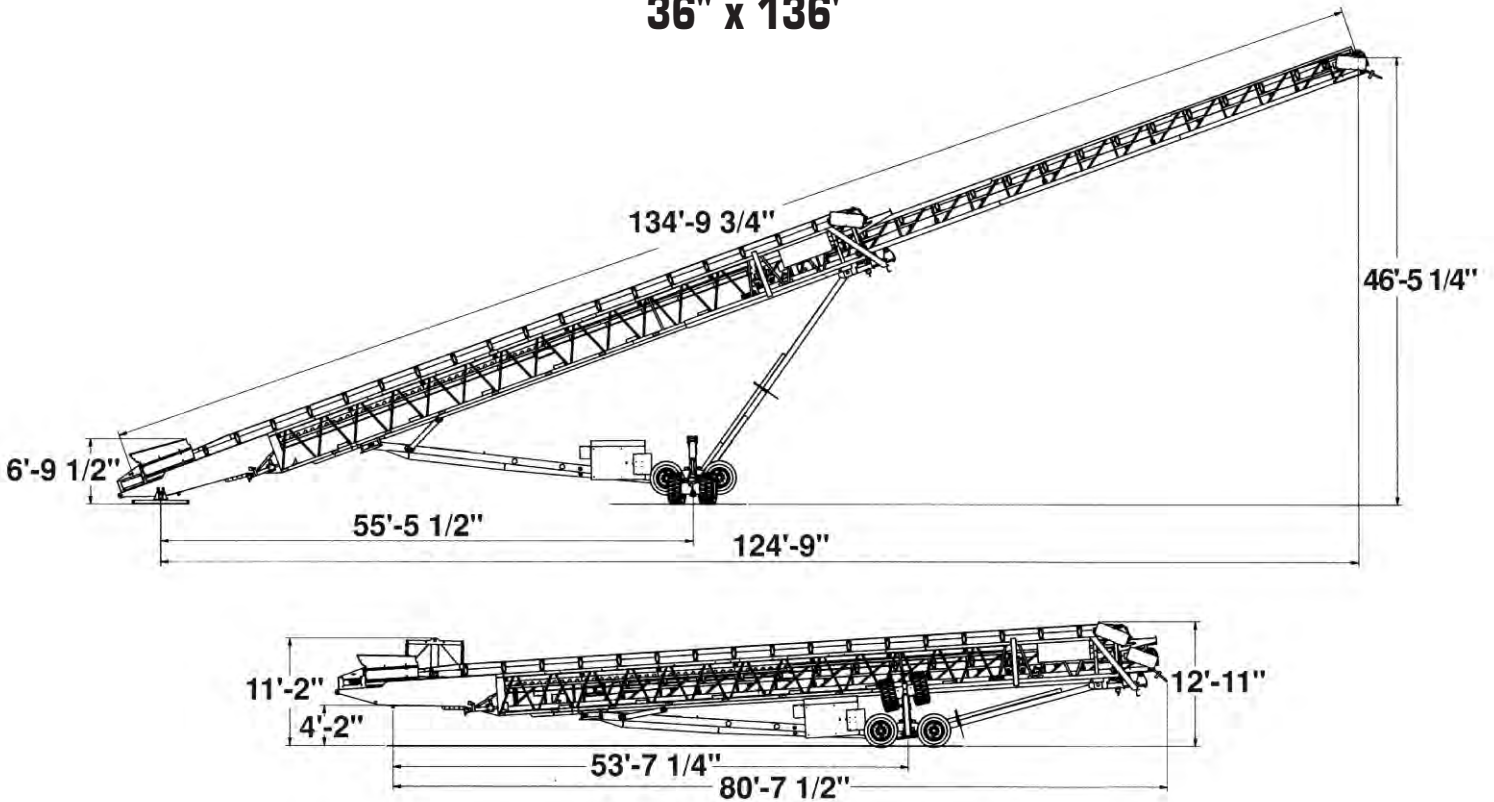


SPECIFICATIONS		
	MAIN CONVEYOR	EXTENDABLE CONVEYOR
TRUSS FRAME	36" x 80'	36" x 60'
ELECTRIC MOTOR	30 HP	25 HP
BELT SPEED (FPM)	425	625
GEAR REDUCER DODGE CLASS 1	TA5	TA4
HEAD PULLEY GROOVED RUBBER LAGGED	16" Dia.	16" Dia.
TAIL PULLEY STEEL WING	14" Dia.	14" Dia.
BELT TAKE-UP	18" Screw	18" Screw
IDLERS, TROUGHING CEMA "B"	5" Dia.	5" Dia.
IDLERS, RETURN CEMA "B"	5" Dia.	5" Dia.
BELTING	2 ply, 220 PIW, 3/16" x 1/16"	2 ply, 220 PIW, 3/16" x 1/16"
BELT CLEANER	Martin Pit Viper	Martin Pit Viper
UNDERCARRIAGE	Heavy-Duty, V-Type with Twin Cylinders for Raise/Lower 10 HP Electric/Hydraulic Power Pack to operate Lift Cylinders, Power Travel Drives and Extendable Conveyor Travel	
ANCHOR PIVOT PLATE CAM-ARM	Maintains Constant Wheel Radius (when raising and lowering)	
AXLE, (WALKING BEAM)	(8) 11.00 x 22.5 Tires	
AXLE, (RADIAL TRAVEL)	(4) 385/65D-19.5 Tires	
POWER TRAVEL	2, Hydraulic Planetary Drives	
BELT SCALE	Yes	
DUST SUPPRESSION	Head End and Receiving Hopper	
RECEIVING HOPPER, RADIAL	Low Profile, Feed Height 5' x 6"	
AUTOMATED STOCKPILING PROGRAM TRAVEL PACKAGE	King Pin, Air Brakes, Travel, Brake and Directional Lights and Mudflaps	
TOTAL WEIGHT	56,000 lbs.	



33-36136 SUPERSTACKER

36" x 136'



136' LP SUPERSTACKER												
MAIN CONVEYOR							STINGER CONVEYOR					
BELT WIDTH	CAPACITY TPH	MOTOR HP	REDUCER	CONVEYOR LENGTH (FT.)	BELT SPEED FPM	FRAME DEPTH	MOTOR HP	REDUCER	CONVEYOR LENGTH (FT.)	BELT SPEED FPM	FRAME DEPTH	
36"	850	30	TA5	80'	425	52"	25	TA4	60'	625	36"	
36"	1,000	40	TA5	80'	425	52"	30	TA4	60'	625	36"	

STOCKPILE CAPACITY @ 20 DEGREES - PARTIALLY DESEGREGATED (FULL STOCKPILE)							
CONICAL PILE (CU. YDS.)		PILE SEGMENT (CU.YD./DEG.)		90-DEGREE PILE (CU. YDS.)		180-DEGREE PILE (CU. YDS.)	
(TONS)	(TONS)	(TONS/DEG.)	(TONS/DEG.)	(TONS)	(TONS)	(TONS)	(TONS)
5,605	7,567	231.0	312.0	26,386	35,620	47,167	63,673

STOCKPILE CAPACITY @ 20 DEGREES - FULLY DESEGREGATED							
CONICAL PILE (CU. YDS.)		PILE SEGMENT (CU.YD./DEG.)		90-DEGREE PILE (CU. YDS.)		180-DEGREE PILE (CU. YDS.)	
(TONS)	(TONS)	(TONS/DEG.)	(TONS/DEG.)	(TONS)	(TONS)	(TONS)	(TONS)
1,572	2,122	78.0	106.0	8,619	11,635	15,666	21,148

NOTE: SPECIFICATIONS ARE SUBJECT TO CHANGE WITHOUT NOTICE

KPI/JCI 3.5 PG 02/09

Because KPI-JCI, AMS and BTI may use in their catalogs & literature, field photographs of it's products which may have been modified by the owners, products furnished by KPI-JCI, AMS and BTI may not necessarily be as illustrated therein. Also continuous design progress makes it necessary that specifications be subject to change without notice. All sales of the products of KPI-JCI, AMS and BTI are subject to the provisions of it's standard warranty. KPI-JCI, AMS and BTI does not warrant or represent that their products meet any federal, state, or local statutes, codes, ordinances, rules, standards or other regulations, including OSHA and MSHA, covering safety, pollution, electrical wiring, etc. Compliance with these statutes and regulations is the responsibility of the user and will be dependent upon the area and the use to which the product is subjected by the user. In some photographs, guards may have been removed for illustrative purposes only. This equipment should not be operated without all guards attached in their normal position. Placement of guards and other safety equipment is often dependent upon the area and how the product is used. A safety study should be made by the user of the application and, if required additional guards, warning signs and other safety devices should be installed by the user, wherever appropriate before operating the products.



1-800-542-9311



ASTE
NASDAQ
LISTED

Astec Industries Companies