



PRIMARY HSI

- ▶ FEATURES
- ▶ SPECIFICATIONS
- ▶ APPLICATIONS

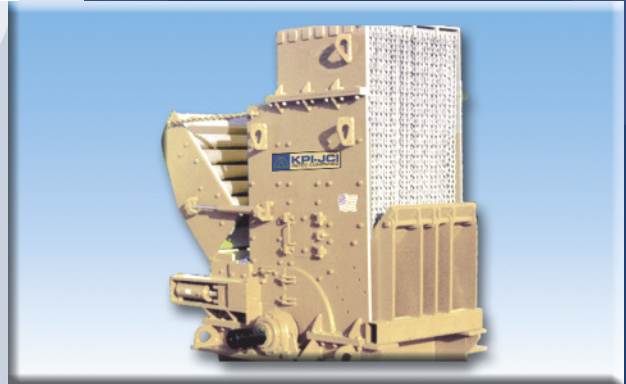
**YOUR
ONE
SOURCE**



www.kpijci.com

FIELD PROVEN & USER FRIENDLY

- ▶ User friendly features coupled with field proven results since 1965 ensure efficient, trouble-free performance.
- ▶ Breaker bar and chamber access is readily available through a hydraulically controlled door.
- ▶ Large side doors are used for daily inspection.



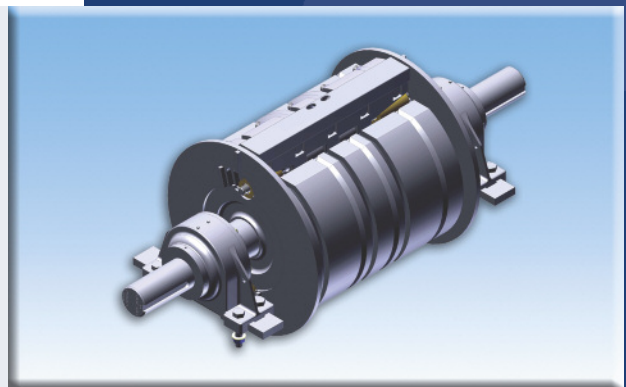
HYDRAULIC BRIDGE BREAKER

- ▶ Quickly and easily clears feed material bridge-overs while the crusher remains in operation.
- ▶ Uptime and safety are maximized by the hydraulically controlled feed plate which rises to dislodge bridged feed material.



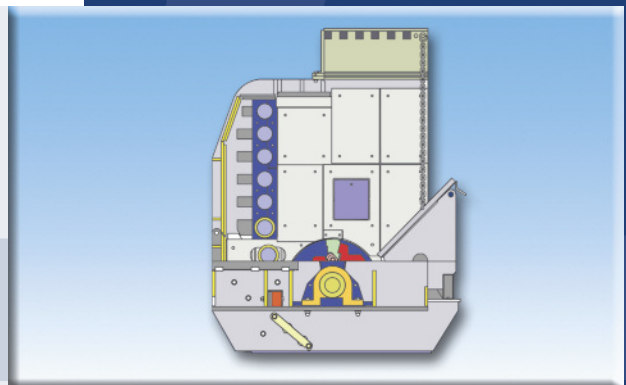
HEAVY-DUTY ROTOR ASSEMBLY

- ▶ Self-aligning bearings mounted in heavy steel housings are protected by two seals to keep out contamination.
- ▶ Manganese blow bars securely mount to a durable solid rotor via the use of cross wedge bolts, and the rotor end discs are flush with the side liners to minimize wear.



MAXIMUM PROTECTION

- ▶ Wear resistant manganese impact bar sleeves offer maximum protection against abrasion.
- ▶ Bolt-on wear liners eliminate costly downtime associated with damage caused to the HSI crushing chamber.
- ▶ The feed lip is fully replaceable and protects the unit from feed material damage and wear.



SPECIFICATIONS

HSI

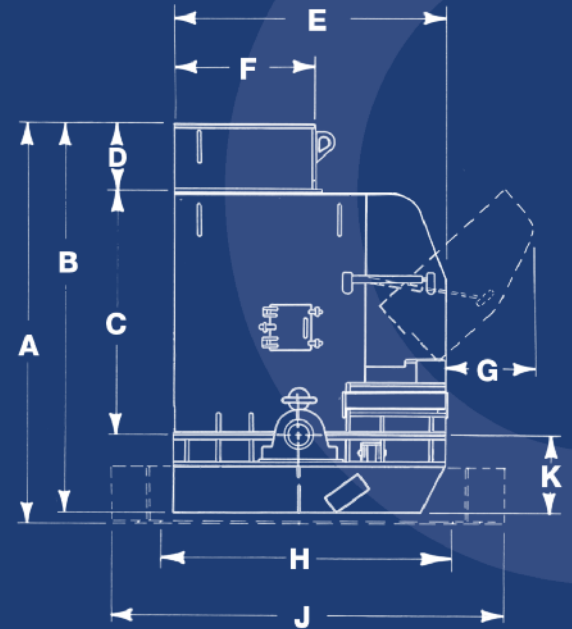
NEW HOLLAND

STYLE

DIMENSIONS

	3850	4654	6064
A	10 ft 10 in (3.302 m)	11 ft 10 1/2 in (3.632 m)	14 ft 7.75 in (4.286 m)
B	10 ft 18 in (3.251 m)	11 ft 9.50 in (3.595 m)	13 ft 9 in (4.115 m)
C	6 ft 10 in (2083 mm)	7 ft 3 in (2210 mm)	8 ft 7.25 in (2623 mm)
D	1 ft 8 in (508 mm)	2 ft 3.50 in (699 mm)	2 ft 4.75 in (730 mm)
E	7 ft 2 in (2235 mm)	7 ft 11 in (2413 mm)	9 ft 8 in (2946 mm)
F	3 ft 6.50 in (1080 mm)	5 ft .25 in (1530 mm)	5 ft .25 in (1530 mm)
G	2 ft 6 in (762 mm)	2 ft 6 in (762 mm)	3 ft 2 in (965 mm)
* H	5 ft 5 in (1651 mm)	5 ft 9 in (1753 mm)	8 ft (2438 mm)
* I	4 ft 4.13 in (1324 mm)	5 ft 1.5 in (1562 mm)	6 ft 3.56 in (1919 mm)
J	11 ft (3.353 m)	12 ft (3.658 m)	14 ft (4.267 m)
K	2 ft 2 in (660 mm)	2 ft 3 in (686 mm)	2 ft 9 in (838 mm)
L	3 ft 2 in (965 mm)	3 ft 10 in (1168 mm)	5 ft (1524 mm)
M	5 ft 11.625 in (1819 mm)	6 ft 14 in (1930 mm)	7 ft 9 in (2362 mm)
N	7 ft 10 in (2388 mm)	9 ft (2743 m)	11 ft (3.353 m)
APPROXIMATE CAPACITY	225-400 TPH (204-362 mtph)	400-700 TPH (362-635 mtph)	700-1400 TPH (635-1270 mtph)
FEED OPENING (above feed plate)	38 in (965 mm) 50 in (1270 mm)	46 in (965 mm) 54 in (1372 mm)	60 in (1524 mm) 64 in (1626 mm)
NOMINAL MAX. FEED	25 in (635 mm)	30 in (762 mm)	40 in (1016 mm)
DIAMETER, HAMMER SWING	37 in (6940 mm)	43 in (1092 mm)	50 in (1270 mm)
NUMBER OF BLOWBARS/ROTOR	2	2	3
BLOWBAR WEIGHT PER BAR	360 lbs (163 kg)	580 lbs (263 kg)	750 lbs (340 kg)
WEIGHT	40,500 lbs (18371 kg)	52,500 lbs (23814 kg)	85,000 lbs (38556 kg)
ELECTRIC HORSEPOWER REQUIRED	250-350 (186-271 kw)	300-450 (224-336 kw)	400-600 (298-447 kw)
RPM	600-700	500-600	450-550
DRIVE	V-belt	V-belt	V-belt
DIAMETER, MOUNTING HOLE	1.3125 in	1.375 in	1.625 in

* Mounting hole dimensions



APPLICATIONS

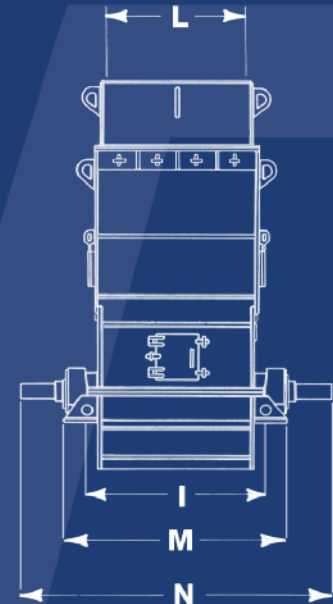
HSI

GRADATION - OPEN CIRCUIT

Test Sieve Sizes (in.)	3850		4654		6064		Test Sieve Sizes (mm)
	Normal Setting	Close Setting	Normal Setting	Close Setting	Normal Setting	Close Setting	
6"	Values are percent passing						152
5"			100		97	100	137
4"	100		98	100	90	98	102
3"	96	100	89	96	75	89	76.2
2 1/2"	90	97	80	90	66	80	63.5
2"	77	89	67	77	56	67	50.8
1 1/2"	64	75	56	64	48	56	38.1
1 1/4"	57	67	50	57	43	50	31.8
1"	50	58	44	50	38	44	25.4
3/4"	41	47	37	41	31	37	19.1
1/2"	32	37	28	32	24	28	12.7
3/8"	26	30	23	26	19	23	9.53
1/4"	20	23	17	20	14	17	6.35
#4	17	19	15	17	12	15	#4
#8	12	14	10	12	8	10	#8
#16	8	9	6	8	5	6	#16
#30	5	6	4	5	3	4	#30
#50	3	4	3	3	2	3	#50
#100	2	3	2	2	1	2	#100

OPTIONS

- ▶ Hydraulic Bridge Breaker Assembly
- ▶ V-Belt Drive
- ▶ Lined or Unlined Discharge Chute
- ▶ Skid Frame
- ▶ Extended life Blowbars



NOTE: SPECIFICATIONS ARE SUBJECT TO CHANGE WITHOUT NOTICE

Because KPI-JCI may use in its catalog & literature, field photographs of its products which may have been modified by the owners, products furnished by KPI-JCI may not necessarily be as illustrated therein. Also continuous design progress makes it necessary that specifications be subject to change without notice. All sales of the products of KPI-JCI are subject to the provisions of its standard warranty. KPI-JCI does not warrant or represent that its products meet any federal, state, or local statutes, codes, ordinances, rules, standards or other regulations, including OSHA and MSHAGATOR, covering safety pollution, electrical, wiring, etc. Compliance with these statutes and regulations is the responsibility of the user and will be dependent upon the area and the use to which the product is put by the user. In some photographs, guards may have been removed for illustrative purposes only. This equipment should not be operated without all guards attached in their normal position.

Placement of guards and other safety equipment is often dependent upon the area and the use to which the product is put. A safety study should be made by the user of the application, and, if required, additional guards, warning signs and other safety devices should be installed by the user, wherever appropriate before operating the products.

REV. 2 10/08

KOLBERG-PIONEER

700 W 21st Street
Yankton, SD 57078 USA
800.542.9311 FAX 605.665.8858



www.kpijci.com

JOHNSON CRUSHERS

86470 Franklin Blvd.
Eugene, OR 97405 USA
800.314.4656 FAX 541.736.1424

