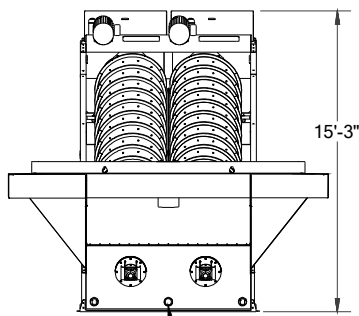
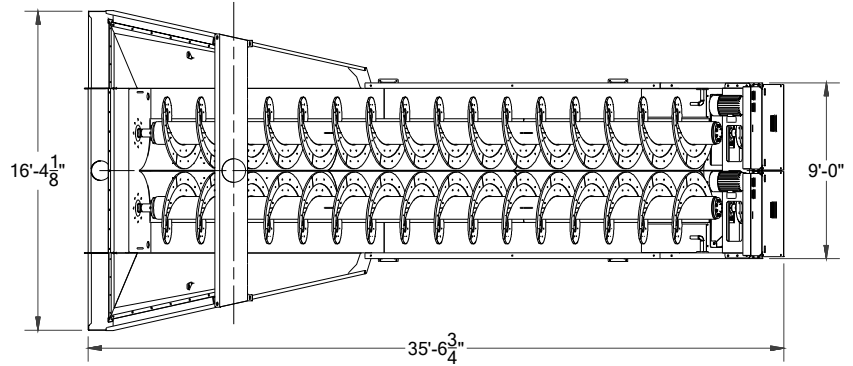
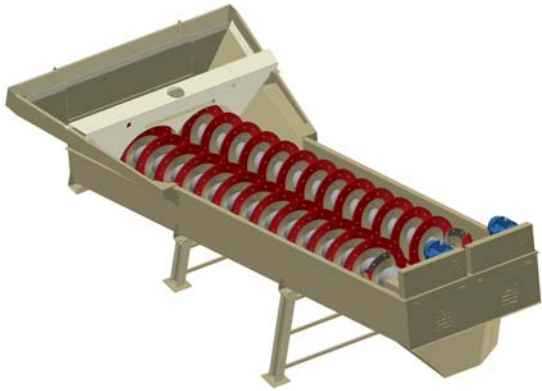


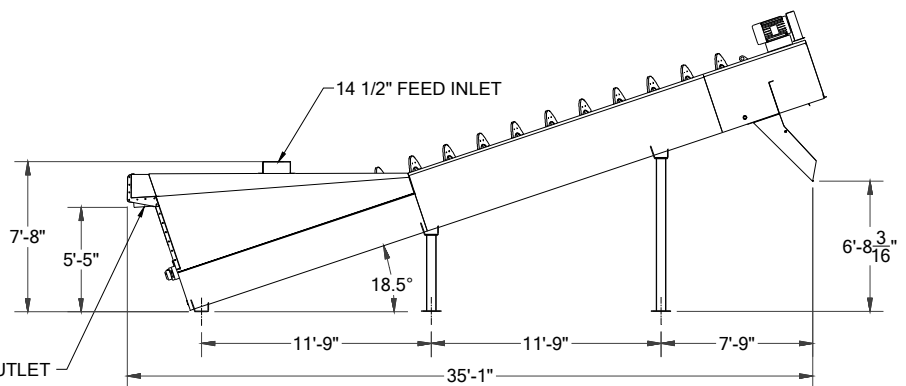
SERIES 5000 FINE MATERIAL WASHER

Model 5044-32T Spec Sheet



12" OVERFLOW OUTLET

4" RISING CURRENT INLET



"WEIGHT PER SIDE"
D.L.= 5,550 Lbs
D.L.+L.L.= 20,570 Lbs

"WEIGHT PER SIDE"
D.L.= 4,450 Lbs
D.L.+L.L.= 17,010 Lbs

"WEIGHT PER SIDE"
D.L.= 3,450 Lbs
D.L.+L.L.= 13,420 Lbs

● MAIN TANK

- 1/4" (sides & bottom) and 3/8" (rear end plate) welded plate steel construction
- Curved bottom with integral rising current manifold (4" dia. inlet)
- Large undisturbed pool area
- 26' of adjustable weir boards
- 1-1/2" chase water line connection
- Overflow flume with 12" dia. outlet
- 4" dia. tank drain

● SPIRAL ASSEMBLY

- Spiral pipe - heavy wall 14" dia.
- Double pitch, solid flight spiral (one right hand, one left hand)
- Standard AR steel inner wear shoes
- Standard urethane outer wear shoes (cast Ni-Hard outer wear shoes are optional)
- Greaseable, externally mounted Dodge Imperial E tail end flange bearing
- Greaseable Dodge Type E pillow block head end bearing
- Lower end seal - chrome plated stainless steel wear sleeve, water tight bellows type rubber seal and secondary grease seal

● DRIVE ASSEMBLY (one drive assembly per spiral)

- High efficiency v-belt drive assembly
- 20 HP TEFC motor
- Dodge TA-II double reduction shaft mount reducer

● CENTER FEED BOX

- 14-1/2" dia feed inlet
- Internally and externally baffled

● DISCHARGE CHUTE (optional)

- Tapered discharge chute set at 45° angle to grade

● SUPPORT ASSEMBLY (optional)

- Independent mid and head end support weldments with 6" wide flange columns

● RISING CURRENT ACCESSORIES (optional)

- Externally mounted manifold with 4" butterfly flow control valve, 4" swing check valve, 0-100 psi pressure gauge and 1-1/2" gate valve and plumbing to the chase water connection

● **PHYSICAL/OPERATING CHARACTERISTICS**

- Feed Material Size - minus 3/8"
- Angle of Operation - 18.5°
- Capacity - up to 350 tph
- Shaft Speed - up to 17 rpm
- Water Requirements - up to 2700 gpm
- Operational Dim. 35'7" long x 16'4" wide x 15'3" high
- Loads - Approx. Dead Load = 26,900 lbs.
 Approx. Live Load = 75,100 lbs.
 Approx. Total Load = 102,000 lbs.

RAKING & OVERFLOW CAPACITY TABLE

CAPACITY (TPH)	% SCREW SPEED (RPM)	SPIRAL SPEED (RPM)	MINIMUM MOTOR HP (TWO REQ'D)	OVERFLOW CAPACITIES (GPM)		
				100 MESH	150 MESH	200 MESH
350	100%	17	20			
260	75%	13	15	2700	1300	750
170	50%	9	10			
90	25%	5	7.5			

PERCENT SCREW SPEED VS. PERCENT FINES IN PRODUCT

% SCREW SPEED (RPM)	% PASSING 50 MESH	% PASSING 100 MESH	% PASSING 200 MESH
100%	15	2	0
75%	20	5	0
50%	30	10	3
25%	50	25	8

NOTE: Specifications are subject to change without notice.

Because KPI-JCI may use in its catalog & literature, field photographs of its products which may have been modified by the owners, products furnished by KPI-JCI may not necessarily be as illustrated therein. Also continuous design progress makes it necessary that specifications be subject to change without notice. All sales of the products of KPI-JCI are subject to the provisions of its standard warranty. KPI-JCI does not warrant or represent that its products meet any federal, state, or local statutes, codes, ordinances, rules, standards or other regulations, including OSHA and MSHA, covering safety, pollution, electrical wiring, etc. Compliance with these statutes and regulations is the responsibility of the user and will be dependent upon the area and the use to which the product is put by the user. In some photographs, guards may have been removed for illustrative purposes only. This equipment should not be operated without all guards attached in their normal position. Placement of guards and other safety equipment is often dependent upon the area and how the product is used. A safety study should be made by the user of the application, and, if required additional guards, warning signs and other safety devices should be installed by the user, wherever appropriate before operating the products.



700 W 21st. St., Yankton, SD 57078
 1-800-542-9311 Fax: 605-665-8858

Email: mail@kpijci.com
 www.kpijci.com
 Mdl 5044-32T Rev.2 08/09