



PLANT FEATURES

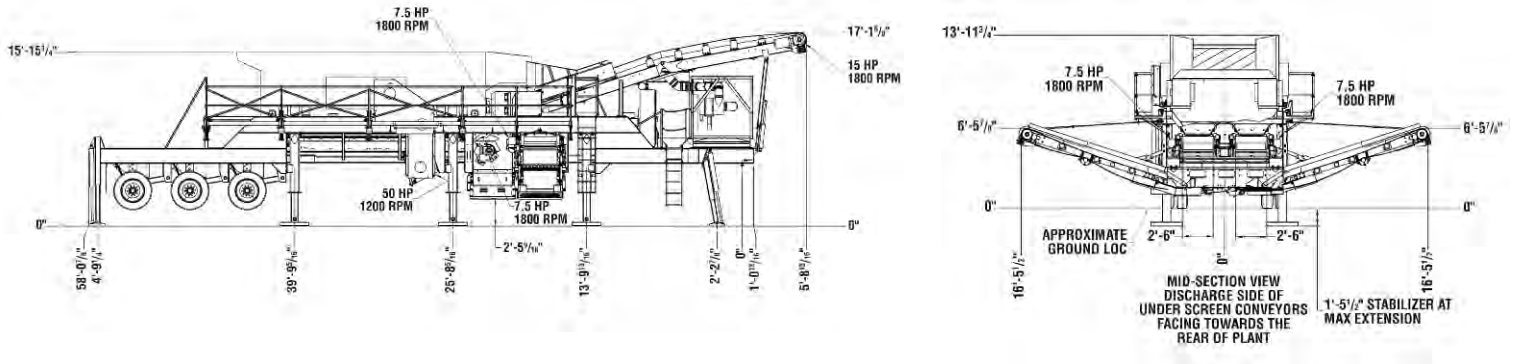
PLANT CONFIGURATION	Diesel / Electric
AXLE CONFIGURATION	Triple air bag suspension, hydraulically retractable
TIRES	(12) 11:00 x 22.5 dual mounted w/ air brakes
UNDERSCREEN CONVEYORS	(2) 30" wide side by side w/ 10 hp electric motors each
U/S CONVEYOR	Hyd. articulate for infinite blending to side discharge conveyors
OVERS FRONT DELIVERY CONVEYOR	42" wide with 15 hp electric motor
DISCHARGE HEIGHT	15' - 4"
SIDE DELIVERY CONVEYORS	(2) 36" wide with 7½ hp electric motors each
DISCHARGE HEIGHT	6' - 4"
DISCHARGE HEIGHT	6' - 4"
ALL BELTING	Grade 2, 3 ply, ¾" top, ½" bottom, Grade 1 rubber
BELT CLEANER	Martin ClearChoice
DIESEL ENGINE	Caterpillar C-13 440 hp w/ 300 kw genset
DIESEL BAGHOUSE	Pulse cleaning air-intake
FUEL TANK	500 gallon
GROUND SUPPORTS	Hydraulic with oversized bases
PLATFORMS	Complete around (4) sides of screen
DUST SUPPRESSION	Complete with manifold, filtration, and on-plant shutoff

SCREEN FEATURES

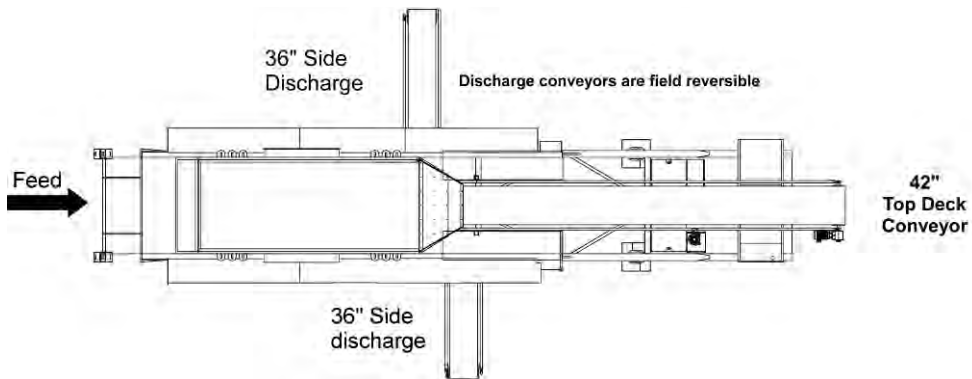
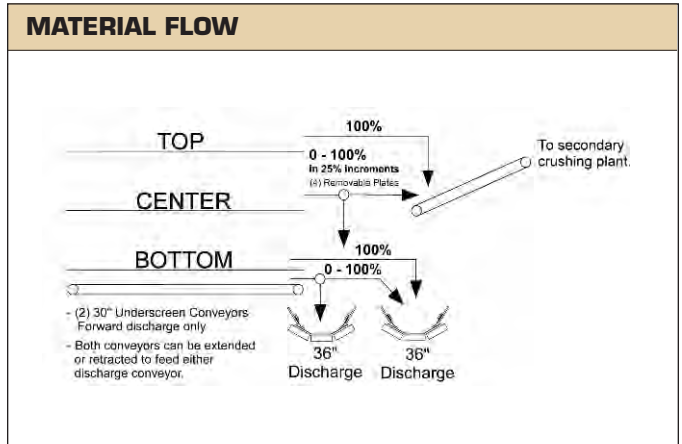
Heavy-duty huck-bolted assembly
50 hp electric motor
¼" side plate thickness
190W mm bearings
Adjustable stroke length, stroke angle, and operating speed
Length - ¾" and ¾"
Angle - 30 - 60 degrees
Speed - 675 - 875 rpm
Quickly adjusts to fit fine or coarse screening
Fully contained oil lubrication system
24" feedbox
¼" feed box liners (AR plate)
Maximum feed size is 10"
Maximum top deck opening 4"
Maximum drop of feed 18"
¼" Discharge lip liner thickness (AR plate)
No welded-on sidehill washers
Utilizes keyless hub to shaft locking assembly system
Superior load carrying double-roll bronze cage spherical bearings
Slip-on gear design
Rubber springs to reduce basket stress



8203 SCALPING SCREEN



WEIGHTS AND DIMENSIONS	
AXLE SPACING	61"
KINGPIN	42,580
REAR AXLE EACH	18,170
REAR AXLE TOTAL	54,510
TOTAL WEIGHT	97,090
TRAVEL HEIGHT	14'-0"
TRAVEL LENGTH	64'-0"
TRAVEL WIDTH	12'-0"



NOTE: SPECIFICATIONS ARE SUBJECT TO CHANGE WITHOUT NOTICE

KPI/JCI 3.5 PG 02/09

Because KPI-JCI, AMS and BTI may use in their catalogs & literature, field photographs of it's products which may have been modified by the owners, products furnished by KPI-JCI, AMS and BTI may not necessarily be as illustrated therein. Also continuous design progress makes it necessary that specifications be subject to change without notice. All sales of the products of KPI-JCI, AMS and BTI are subject to the provisions of it's standard warranty. KPI-JCI, AMS and BTI does not warrant or represent that their products meet any federal, state, or local statutes, codes, ordinances, rules, standards or other regulations, including OSHA and MSHA, covering safety, pollution, electrical wiring, etc. Compliance with these statutes and regulations is the responsibility of the user and will be dependent upon the area and the use to which the product is subjected by the user. In some photographs, guards may have been removed for illustrative purposes only. This equipment should not be operated without all guards attached in their normal position. Placement of guards and other safety equipment is often dependent upon the area and how the product is used. A safety study should be made by the user of the application and, if required additional guards, warning signs and other safety devices should be installed by the user, wherever appropriate before operating the products.



1-800-542-9311



ASTEC
NASDAQ
LISTED

Astec Industries Companies