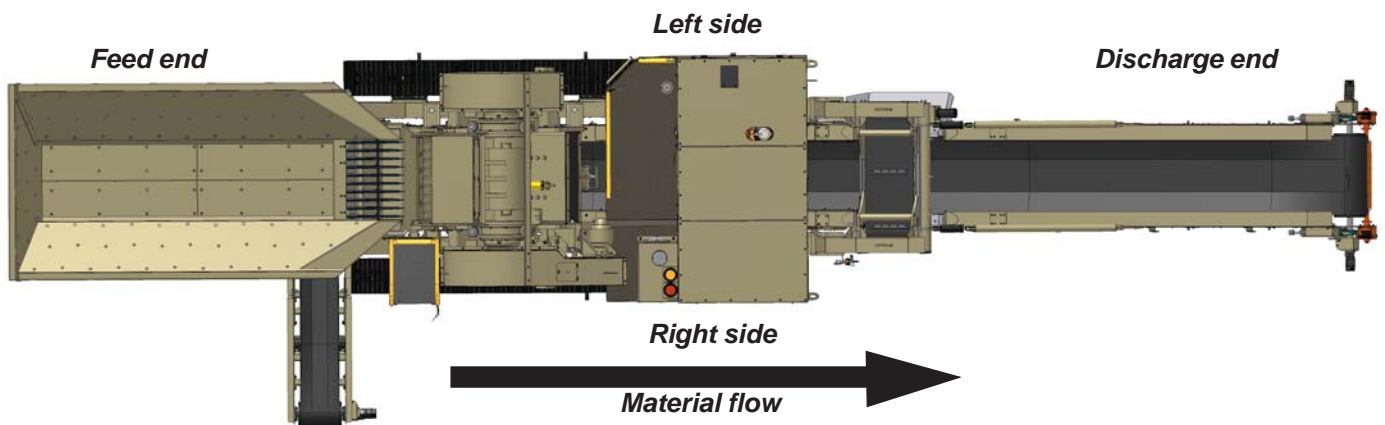
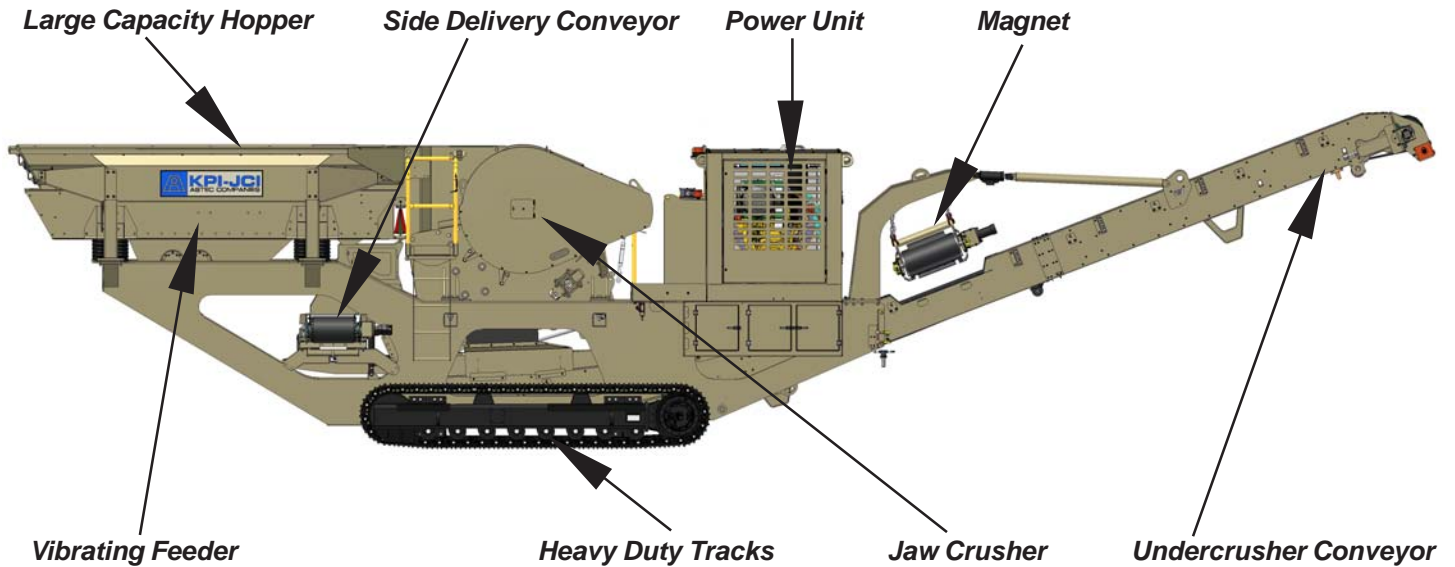


TRACK MOUNTED JAW PLANT Model GT125 Spec Sheet



● **VIBRATING GRIZZLY FEEDER**

- 40" X 14' Vibrating Pan Feeder
- 5-1/2 Cubic yard Hopper
- 4' Grizzly fingers 2-1/2" spacing

● **JAW CRUSHER**

- 2640 Vanguard Jaw
- Hydraulically adjustable
- Hydraulically driven and reversible

● **CHASSIS**

- Sculpted boxed frame design
- 400mm tracks with dual drive
- Track width 8'9"/2.68m
- Balanced for zero cribbing
- 70 gal/264.9 Oil reservoir

● **UNDERCRUSHER CONVEYOR**

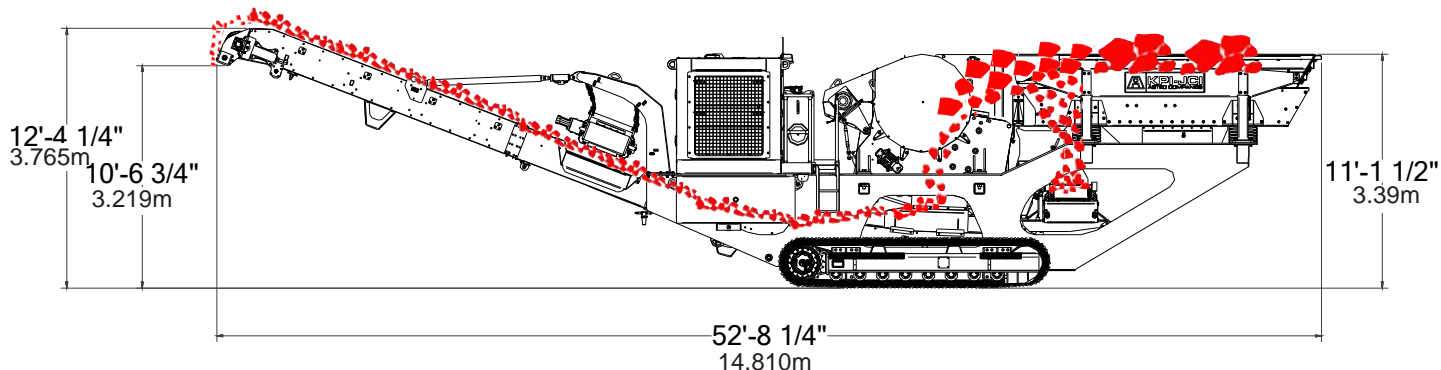
- 36" x 40 Under crusher conveyor
- Impact bed with 330 3ply belting
- Hydraulically raises for increased discharge height

● **POWER UNIT**

- Cat C7.1 225hp/165.5 kw Tier IV i
- Cat C7 225hp/165.5 kw Tier III (International)
- 140gal/530L fuel tank
- Fuel consumption 7-12 Gal/Hr

● **OPTIONS**

- 24" x 12" Side delivery conveyor
- Permanent cross belt magnet
- 440piw single ply belting
- Dust suppression
- Electrical/Hydraulic Control Valve (CE Certification)



● **CRUSHER**

Max Feed Size..... 21"/533mm Plant Capacity up to.....400 STPH/363 MTPH

● **PHYSICAL/OPERATING CHARACTERISTICS**

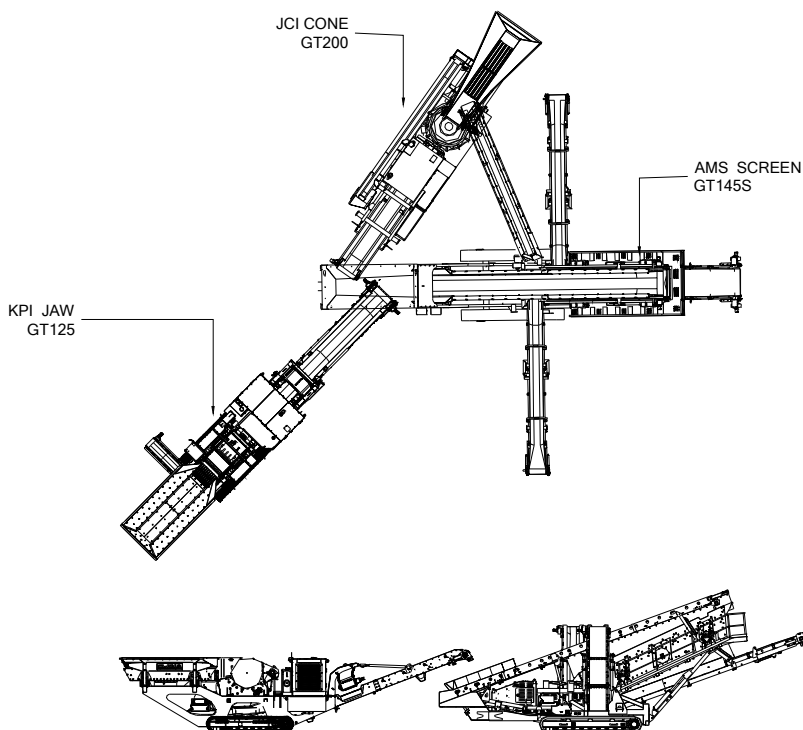
Overall Length..... 52' 8 1/4"/14.810m Travel Width..... 9' 6"/2.89m
 Operating Height..... 12' 4 1/4"/3.759m Feed Height..... 11' 2"/3.404m
 Travel Height..... 11' 2"/3.470m Discharge Height..... 10' 7"/3.226m
 Ground Clearance..... 10 1/2"/266.7m Unit Weight..... 83,000 lbs/37,650kg

● **OPERATING SLOPE**

Side to Side..... 1% grade Front to Back.....3% grade

● **PERFORMANCE WHEN MOVING**

Travel Speed..... .72MPH Gradability..... 50%
 Total Tractice Effort..... 43613 lbf Ground Pressure..... 2415PSF



NOTE: Specifications are subject to change without notice.

Because KPI-JCI may use in its catalog & literature, field photographs of its products which may have been modified by the owners, products furnished by KPI-JCI may not necessarily be as illustrated therein. Also continuous design progress makes it necessary that specifications be subject to change without notice. All sales of the products of KPI-JCI are subject to the provisions of its standard warranty. KPI-JCI does not warrant or represent that its products meet any federal, state, or local statutes, codes, ordinances, rules, standards or other regulations, including OSHA and MSHA, covering safety, pollution, electrical wiring, etc. Compliance with these statutes and regulations is the responsibility of the user and will be dependent upon the area and the use to which the product is put by the user. In some photographs, guards may have been removed for illustrative purposes only. This equipment should not be operated without all guards attached in their normal position. Placement of guards and other safety equipment is often dependent upon the area and how the product is used. A safety study should be made by the user of the application, and, if required additional guards, warning signs and other safety devices should be installed by the user, wherever appropriate before operating the products.



700 W 21st. St., Yankton, SD 57078
 1-800-542-9311 Fax: 605-665-8858

Email: mail@kpijci.com
 www.kpijci.com
 Mdl GT125 10/11 rev 1