



KPI-JCI RS Low Profile Screening Plant Specifications



*Plant shown with optional Feed Distribution Box

• PLANT FEATURES

- 6203/7203/8203 3-Deck Low Profile Screen
- Tandem axle chassis
- stationary cribbing supports
- fifth wheel plate, air brakes, lights, mud flaps, and safety guards to known standards
- 60" Underscreen conveyor
- lagged head pulley, self-cleaning wing tail pulley, Dodge reducer and SCM bearings, Cema C sealed, 3 ply belt
- Underscreen hopper
- AR plate wear liners and adjustable skirt board wipers
- 24" Fold down walkways on both sides of screen
- 38" Back platform
- 42" Solid handrails and access ladder
- AR Lined discharge chutes

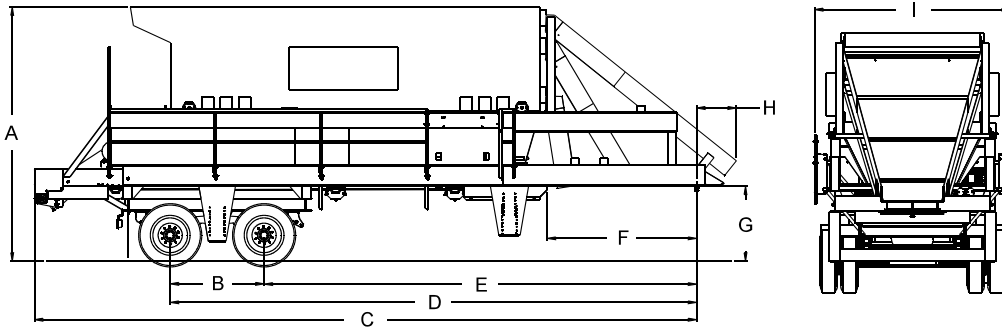
• OPTIONS

- Feed distribution box (Shown in photo)
- Includes: Power distribution panel and starters for screen drive motor and on plant conv.
- Cross Conveyors 24" x 11'
- Telescoping Support Leg
- Toshiba Motor Option
- Stabilizing System: (4) cylinder (with 24" stroke run on design) power unit package consisting of either an 8 HP gas (electric start) or 5 HP electric (3/60/460) with fluid reservoir, hydraulic pump and control valves with relief valve (for operating plant on jacks without cribbing)

• APPROXIMATE TRAVEL WEIGHT

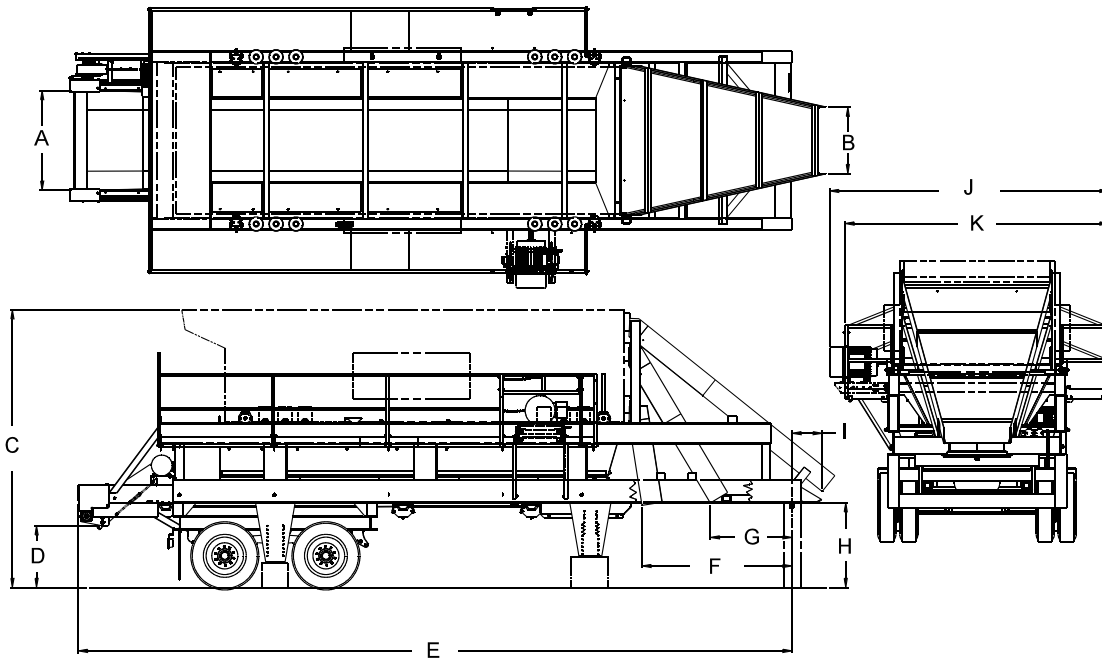
Model	Weight
RS6203	41,000 (18,597 kg)
RS7203	48,000 (21,772 kg)
RS8203	54,000 (24,494 kg)

Travel Dimensions



Plant	A	B	C	D	E	F	G	H	I
RS6203	13' 4" (4M)	5' 1" (1.5M)	35' 10" (10.9M)	28' 6" (8.7M)	23' 5" (7.1M)	8' 1" (2.5M)	4' 3" (1.2M)	2' 4" (0.7M)	9' 7" (2.9M)
RS7203	13' 11" (4.2M)	5' 1" (1.5M)	35' 10" (10.9M)	28' 6" (8.7M)	23' 5" (7.1M)	8' 1" (2.5M)	4' 3" (1.2M)	2' 2" (0.7M)	10' 7" (3.2M)
RS8203	13' 11" (4.2M)	5' 1" (1.5M)	35' 10" (10.9M)	28' 6" (8.7M)	23' 5" (7.1M)	8' 1" (2.5M)	4' 1" (1.2M)	2' 2" (0.7M)	11' 7" (3.5M)

Operating Dimensions



Plant	A	B	C	D	E	F	G	H	I	J	K
RS6203	5' (1.5M)	2' 4" (.7M)	13' 4" (4.1M)	3' 1" (.94M)	35' 10" (11M)	7' 6" (2.3M)	3' 7" (1.1M)	4' 1" (1.2M)	1' 9" (.5M)	13' (4M)	12' 3" (3.7M)
RS7203	5' (1.5M)	3' 4" (1.0M)	13' 11" (4.2M)	3' 1" (.94M)	35' 10" (11M)	7' 6" (2.3M)	4' 1" (1.2M)	4' 3" (1.3M)	1' 6" (.45M)	14' (4.3M)	13' 3" (4.03M)
RS8203	5' (1.5M)	4' 4" (1.3M)	13' 11" (4.2M)	3' 1" (.94M)	35' 10" (11M)	7' 6" (2.3M)	4' 1" (1.2M)	4' 1" (1.2M)	1' 6" (.45M)	15' (4.5M)	14' 3" (4.3M)

FOR MORE INFORMATION CALL 1-800-314-4656 AND ASK FOR A JCI EQUIPMENT SPECIALIST

Note: Specifications are subject to change without notice.

Because KPI-JCI may use in its catalog & literature, field photographs of its products which may have been modified by the owners, products furnished by KPI-JCI may not necessarily be as illustrated therein. Also continuous design progress makes it necessary that specifications be subject to change without notice. All sales of the products of KPI-JCI are subject to the provisions of its standard warranty. KPI-JCI does not warrant or represent that its products meet any federal, state, or local statutes, codes, ordinances, rules, standards or other regulations, including OSHA and MSHA, covering safety, pollution, electrical wiring, etc. Compliance with these statutes and regulations is the responsibility of the user and will be dependent upon the area and the use to which the product is put by the user. In some photographs, guards may have been removed for illustrative purposes only. This equipment should not be operated without all guards attached in their normal position. Placement of guards and other safety equipment is often dependent upon the area and how the product is used. A safety study should be made by the user of the application, and, if required additional guards, warning signs and other safety devices should be installed by the user, wherever appropriate before operating the products.



86470 Franklin Blvd, Eugene, OR 97405
1-800-314-4656 Fax: 541-988-9401

Email: mail@jcieug.com
www.kpjeci.com
KPI-JCI RS Plants, Rev 1,01/10