

# K400+

Kodiak® Plus Cone Crusher Unit



## Crusher

- High efficiency roller bearing design
- Remote Close Side Setting (CSS) adjustment
  - Digital read out setting control
  - Patented "gall resistant" brass bowl threads
  - Patented "no creep" bowl clamp
- Patented mechanical "crusher duty" cone brake
  - K200+, K300+, K350+, K400+
- Hydraulic Cone Brake Std on K500+
- Patented liner retention assembly
  - Low impact Tramp Iron Relief (TIR) system
  - Pressure relief valves
  - Large bore heavy duty relief cylinders
  - Hydraulic "one button" chamber clearing
- Bronze field replaceable V-Seat liners
- Permanently precision balanced
- Protected internal counter weights
- Baseframe tub liners field replaceable 400BHN
- Cold climate oil recirculation
- Manganese liners (Select from list of interchangeable liners)
- Crusher tools
- Operation and Maintenance manuals
- Crusher Feed Hopper
- Bowl float monitoring

## Hydraulic Power Unit

- Reservoir (Filled at the factory)
- 15HP (11kW) TEFC motor
- 6 gpm (23Lpm)
- Remote control panel w/ 50' cable

## Oil Cooler

- 1HP (.75kW) TEFC motor (K200+, K300+, K350+, K400+)
- 3 HP (2.24kW) TEFC motor (K500+)

## Lube Assembly

- 3HP (2.2kW) TEFC motor
- 2 X 1500W heaters
- Automatic oil cooler bypass
- Oil flow sensor

## Kodiak® Control System

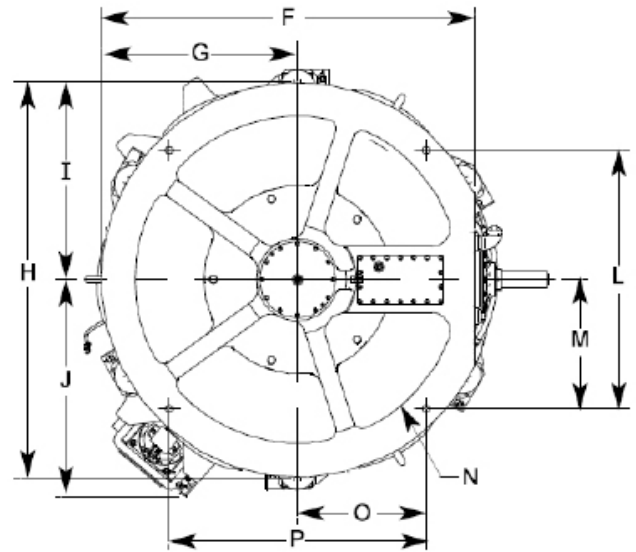
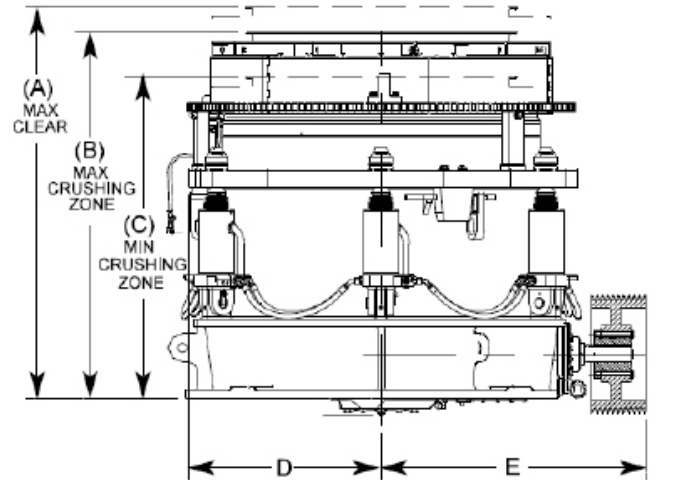
- Auto control of crusher lube functions
- Auto control of crusher hydraulic functions
- Interlocked lube/hydraulic protection
- Integration with existing plant controls
- Feed hopper monitor
- Cold weather overnight oil circulation
- Assistance for specialized maintenance
- Assistance for specialized adjustments
- Diagnostics
- Bowl float monitor
- Liner wear monitoring
- Color Display

## Crusher Options

- V-Belt Drive
- Cogged belt drive
- Longer remote cables (100', 150', 200')
- Hopper extension with overflow chute
- Hydraulic cone brake (K200+, K300+, K350+, K400+)
- Kidney loop auxiliary lube filtration
- Electric Motor(s)

# Kodiak® Plus Dimensions

	K200+	K300+	K350+	K400+	K500+
A	79.875in (2,029mm)	83.125in (2,111mm)	85.625in (2,174.875mm)	90.25in (2,292mm)	96.688in (24,56mm)
B	73.875in (1,876mm)	77.75in (1,975mm)	80.375in (2,041.525mm)	85.125in (2,162mm)	90.188in (2,291mm)
C	65.5in (1,664mm)	68.25in (1,734mm)	71.00in (1,803.4mm)	75.375in (1,915mm)	78.438in (1,992mm)
D	40.313in (1,024mm)	41in (1,041mm)	44.625in (1,133.475mm)	46.25in (1,175mm)	51in (1,295mm)
E	53.52in (1,359mm)	56.52in (1,436mm)	56.75in (1,441.45mm)	62.125in (1,578mm)	68.875in (1,749mm)
F	75.375in (1,915mm)	79.75in (2,026mm)	82.375in (2,092.325mm)	85.25in (2,165mm)	93.938in (2,386mm)
G	38.875in (987mm)	42in (1,067mm)	44.625in (1,133.475mm)	44.5in (1,130mm)	49.5in (1,257mm)
H	77.5in (1,969mm)	84in (2134mm)	84in (2,133.6mm)	89in (2261mm)	97.5in (2,476mm)
I	38.875in (987mm)	42in (1,067mm)	44.625in (1,133.475mm)	44in (1,130mm)	48.75in (1,238mm)
J	42in (1,067mm)	46in (1,168mm)	46.00in (1,168.4mm)	46.25in (1,175mm)	50.80in (1,473mm)
L	52in (1,321mm)	55in (1,397mm)	55.00in (1,397mm)	59in (1,499mm)	65in (1,651mm)
M	26in (660mm)	27.5in (699mm)	27.50in (698.5mm)	29.5in (749mm)	32.5in (825.5mm)
N	63.25in (1,607mm)	69.5in (1,765mm)	69.00in (1,752.6mm)	74in (1,880mm)	81.5in (2,070.1mm)
O	26in (660mm)	27.5in (699mm)	27.50in (698.5mm)	29.5in (749mm)	32.5in (825.5mm)
P	52in (1,321mm)	55in (1,397mm)	55.00in (1,397mm)	59in (1,499mm)	65in (1,651mm)



**BOTTOM VIEW**

	K200+	K300+	K350+	K400+	K500+
Head Diameter	40in (1,016mm)	45in (1,143mm)	48in (1,219mm)	54in (1,372mm)	60in (1,524mm)
Operating Range	800 – 950 RPM	800 – 950 RPM	750 - 950 RPM	800 – 950 RPM	750 – 850 RPM
Horsepower	200 (150 kw)	300 (225 kw)	350 (261 kw)	400 (300 kw)	500 (373 kw)
Total Weight	35,000lbs (15,875kg)	42,375lbs (19,221kg)	47,975lbs (21,761kg)	57,875lbs (26,251kg)	77,000lbs (34,927kg)
Upper Assembly With Liner	13,500lbs (6,123kg)	17,225lbs (7,813kg)	17,500lbs (7,938kg)	20,225lbs (9,174kg)	28,000lbs (12,701kg)
Lower Assembly With Mantle & Sheave	21,500 (9,752kg)	25,150lbs (11,408kg)	28,000lbs (12,701kg)	37,650lbs (17,077kg)	49,000lbs (22,226kg)



Johnson Crushers International, Inc.  
 86470 Franklin Blvd.,  
 Eugene, OR 97405  
 1 (800) 314-4645  
 mail@jciieg.com  
 www.kpijci.com

**NOTE: CONSULT FACTORY FOR EXACT DIMENSIONS, specifications are subject to change without notice.**

Because Kolberg-Pioneer, Inc., Johnson Crushers International, Inc. and Astec Mobile Screens, Inc. may use in their catalog and literature, field photographs of their products which may have been modified by the owners, products furnished by Kolberg-Pioneer, Inc., Johnson Crushers International, Inc. and Astec Mobile Screens, Inc. do not warrant or represent that their products meet any federal, state, or local statutes, codes, ordinances, rules, standards or other regulations, including OSHA and MSHA, covering safety, pollution, electrical wiring, etc. Compliance with these statutes and regulations is the responsibility of the user and will be dependent upon the area and the use to which the product is put by the user. In some photographs, guards may have been removed for illustrative purposes only. This equipment should not be operated without all guards attached in their normal position. Placement of guards and other safety equipment is often dependent upon the area and how the product is used. A safety study should be made by the user of the application, and, if required additional guards, warning signs and other safety devices should be installed by the user, wherever appropriate before operating the products.