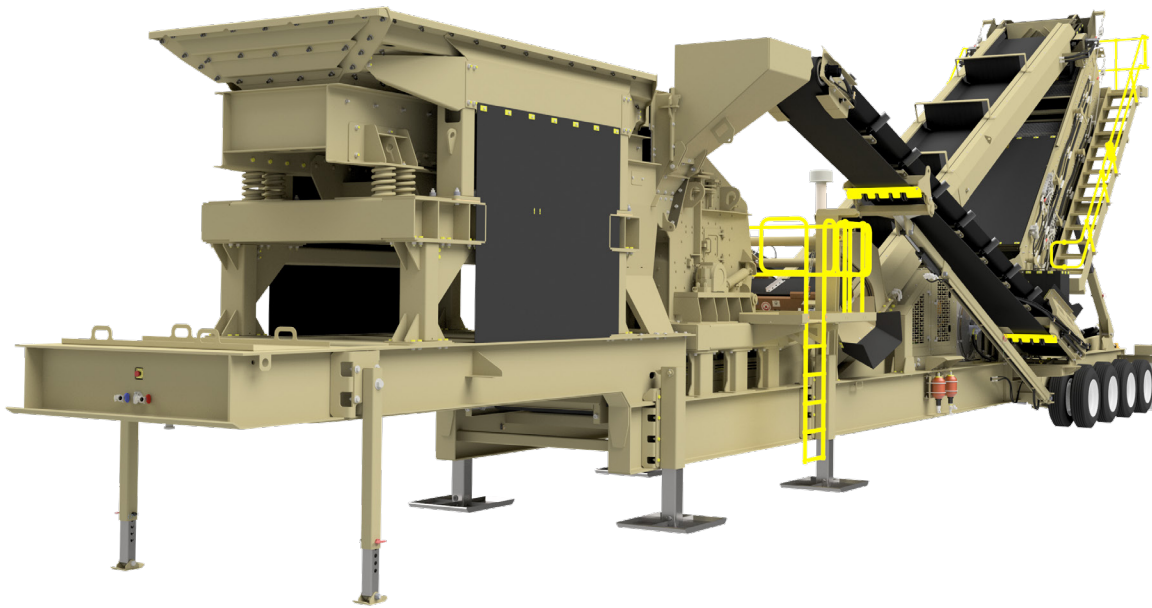


ProSizer® 3600

Wheel-Mounted Crushing and Screening Plant



Vibrating Screen

- One (1) 2618V double deck PEP Vari-Vibe® high frequency screen
- 6' (1.83m) x 18' (5.49m) high-frequency top and bottom deck
- Top and bottom deck driven by fourteen (14) hydraulic variable speed vibrators
- (0-4200 RPM) mounted below screens for directly induced vibrating action
- Hydraulic controls for variable angle operation
- Top and bottom discharge chutes
- Aggregate spreader, step type walkway with ladder

Vibrating Feeder

- 40" (1016mm) x 14' (4.27m) horizontal type feeder with 3/8" (9.53mm) AR plate
- 43" (1092mm) replaceable tine deck with 1" (25.4mm) nominal spacing
- Variable speed hydraulic drive
- Crusher by-pass chute with 3/8" (9.53mm) AR liner

Impactor

- 36" (914.4mm) x 46" (1168.4mm) horizontal shaft impactor
- Two (2) bar rotor
- Hydraulic assist aprons
- Variable speed hydraulic drive
- Hydraulic actuated access door
- Primary and secondary aprons

Frame

- 21" I-beam with king pin type hitch
- Hydraulic landing gear for leveling of plant
- Twelve (12) hub piloted 11 R22.5 tires and mud flaps
- Leaf spring suspension, airbrakes, rear tail lights

Crusher to Screen Delivery Conveyor

- One (1) 48" (1219.2mm) conveyor with hydraulic drive
- Full length skirt boards
- Folds for transport
- Vulcanized

Fines Conveyor

- One (1) 42" (1066.8mm) conveyor with hydraulic drive
- Hydraulic discharge height adjustment
- Folds for transport
- Vulcanized

Side Product Conveyor

- One (1) 26" (660.4mm) conveyor, fold out design
- Hydraulic drive variable speed (0-350 FPM)
- Fixed discharge height
- Vulcanized

Crusher Return Conveyor

- One (1) 26" (660.4mm) conveyor
- Swing out design for optional stockpiling
- Hydraulic variable speed
- Hydraulic discharge height adjustment
- Vulcanized

Cross Conveyor

- One (1) 32" (812.8mm) conveyor
- Static within frame
- Impact bed
- Vulcanized

Power and Hydraulics

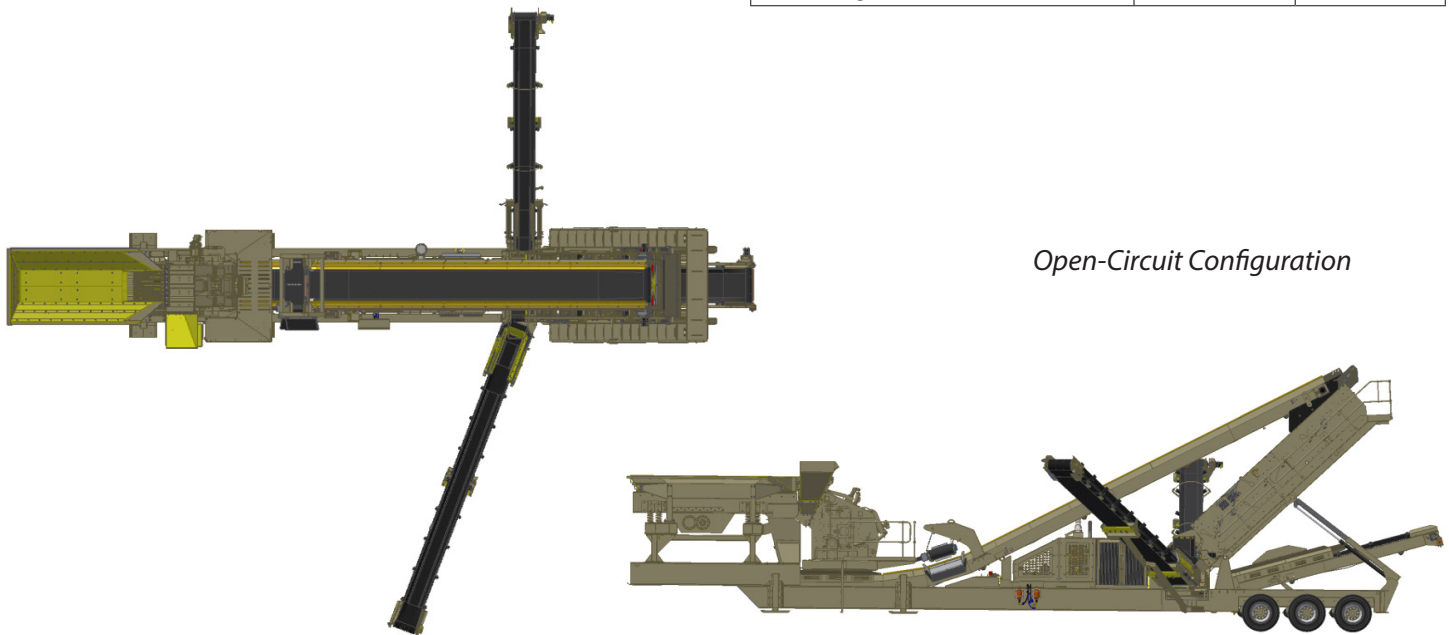
- Cummins 380HP Tier IV water cooled diesel engine
- 200 gal (757L) fuel tank
- 200 gal (757L) hydraulic reservoir
- NEMA-4 rated instrument panel
- Hour meter and emergency stops

Available Options

- Stainless steel screen cloth
- Hydraulic driven suspended belt magnet 30" wide
- Wireless remote for crusher return conveyor
- 5' (1.52m) x 20' (6.10m) double deck conventional screen ILO high frequency screen
- Dual power

Physical/Operating Characteristics

Dimension	Standard	Metric
Operating Length	75'0"	22.86m
Travel Length	78'6"	23.96m
Operating Height	25'0"	7.62m
Travel Height	12'10"	3.93m
Operating Width	35'0"	10.67m
Travel Width	12'6"	3.84m
Unit Weight	122,000 lbs	55,338 kg
Feed Height (Front Feed)	13'9"	4.24m



Astec Mobile Screens, Inc.
2704 West LeFevre Road
Sterling, IL 61081
1 (800) 545-2125
mail@kpijci.com
www.kpijci.com

NOTE: CONSULT FACTORY FOR EXACT DIMENSIONS, specifications are subject to change without notice.

Because Kolberg-Pioneer, Inc., Johnson Crushers International, Inc. and Astec Mobile Screens, Inc. may use in their catalog and literature, field photographs of their products which may have been modified by the owners, products furnished by Kolberg-Pioneer, Inc., Johnson Crushers International, Inc. and Astec Mobile Screens, Inc. do not warrant or represent that their products meet any federal, state, or local statutes, codes, ordinances, rules, standards or other regulations, including OSHA and MSHA, covering safety, pollution, electrical wiring, etc. Compliance with these statutes and regulations is the responsibility of the user and will be dependent upon the area and the use to which the product is put by the user. In some photographs, guards may have been removed for illustrative purposes only. This equipment should not be operated without all guards attached in their normal position. Placement of guards and other safety equipment is often dependent upon the area and how the product is used. A safety study should be made by the user of the application, and, if required additional guards, warning signs and other safety devices should be installed by the user, wherever appropriate before operating the products.